



**HIGH DENSITY**

**4** <sup>HDF</sup>  
PRODUCTS

**FIBERBOARD (HDF) PRODUCTS**

# HIGH DENSITY FIBERBOARD (HDF)

## General Information / Route Patterns

High Density Fiberboard (HDF) is a strong material made from densely packed wood fibers that offers a smooth and uniform surface ideal for solid color finishing. One of the benefits of HDF is its durability and ability to stand up to changes in heat or humidity which helps to maintain the integrity of the painted finish. We offer a variety of one piece and five piece door styles that can be ordered raw or finished with any of our paint and glaze colors.

All HDF doors are 3/4" thick.

### Warranty

See page 9 for general wood product warranty.

### Tolerances

Elias Woodwork warrants that its HDF cabinet doors have a size tolerance of +/- 1mm.

### Production Lead Times

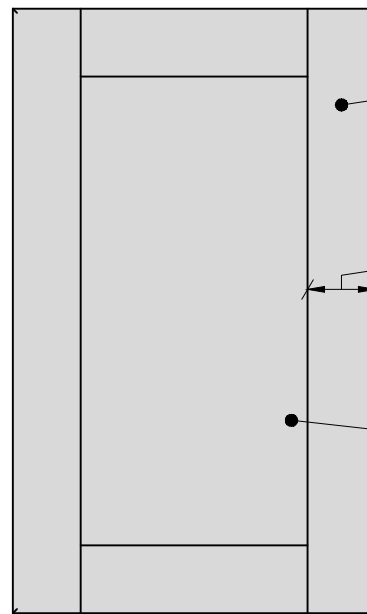
Standard order lead times are 7-10 business days depending on workload.

### Rush Orders

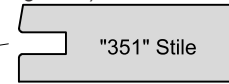
Rush orders have a lead time of 3-5 business days.

## How to Order 5-Piece HDF Doors

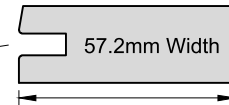
Four Simple steps to order 5-piece HDF doors:



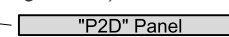
**Step 1.**  
Choose - Stile & Rail Profile  
(Page 195)



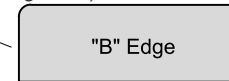
**Step 2.**  
Choose - Stile & Rail Width



**Step 3.**  
Choose - Panel Profile  
(Page 29-31)

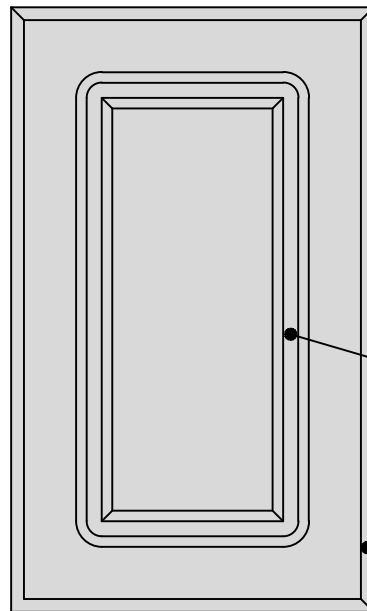


**Step 4.**  
Choose - Outside Edge Profile  
(Page 202)

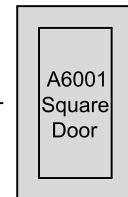


## How to Order 1 Piece HDF Doors

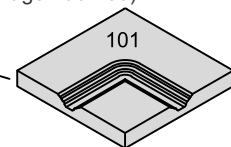
Three Simple steps to order HDF doors:



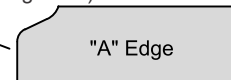
**Step 1.**  
Choose - Route Pattern  
(Page 201)



**Step 2.**  
Choose - Route Profile  
(Page 196-200)

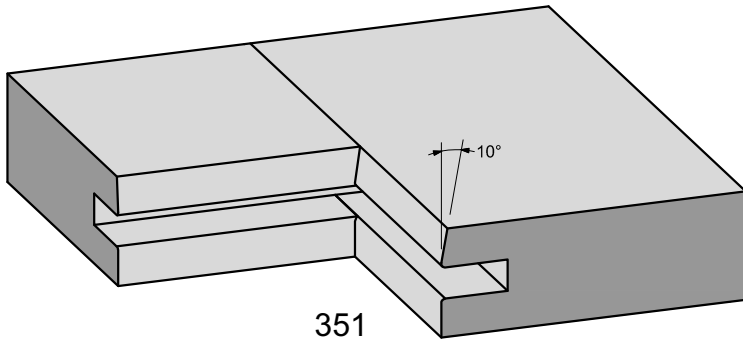


**Step 3.**  
Choose - Outside Edge Profile  
(Page 202)



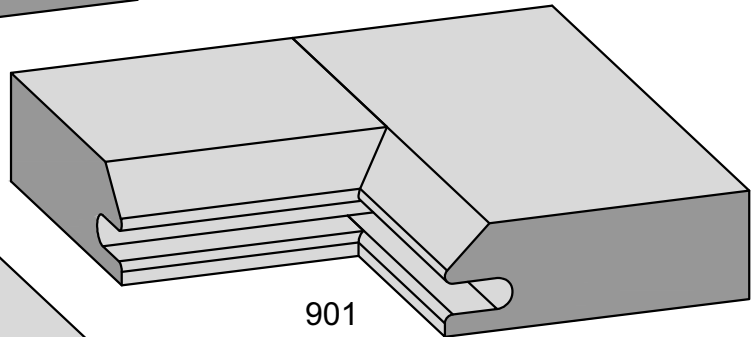
4 HDF PRODUCTS

## 5-PIECE HDF STILE / RAIL OPTIONS

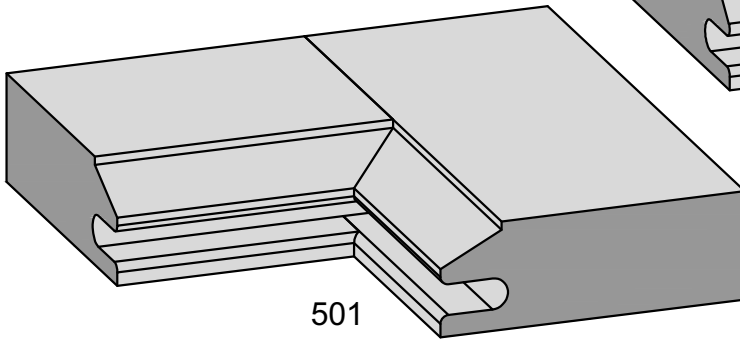


351  
Does not work with raised panel profiles.

**NOTE:** Standard thickness is 3/4". Standard Stile / Rail widths are 2 1/4" (57mm) and 3" (76mm). Call for custom width requirements.



901  
Does not work with reverse panel profiles.



501

## 5-PIECE HDF OPTIONS

**Panel Options** - See pages 29 - 31 in the Tenon Door section of the catalog.

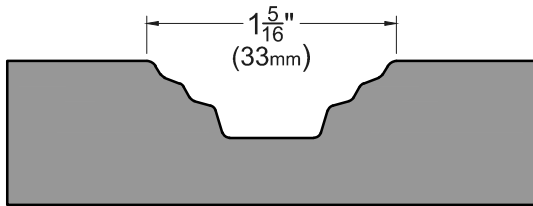
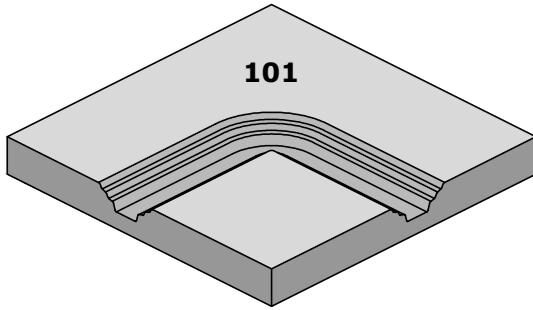
**Frames & Mullions** - See pages 68 - 70 in the catalog. Note: there is no groove for the retainer molding included in the frame for the 5 piece HDF doors.

**Edge Profiles** - B, D04, D13, I and V. See page 202.

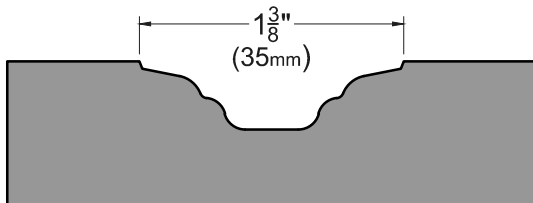
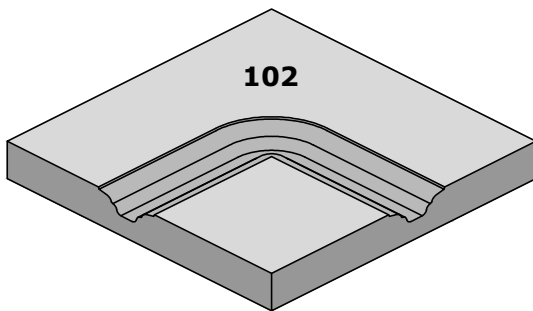
**PRODUCT TIP:**

HDF is only one option available for our paint grade doors. Please refer to the Tenon and Miter section of the catalog for additional profiles and styles available in Maple/HDF. All of our doors can be ordered raw or finished.

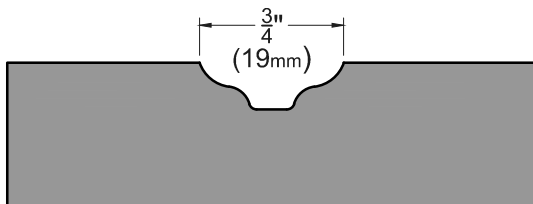
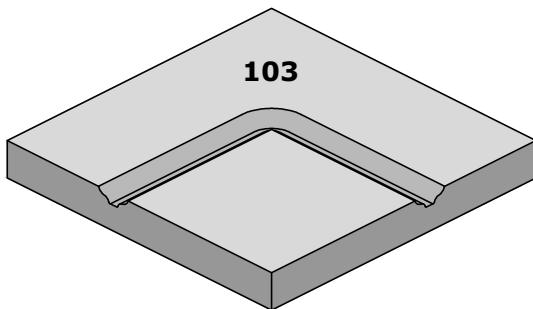
# One Piece Rounded Groove Profiles



Route Pattern	Stile Width	Rail Width	Min. Width	Min. Height	Frame Options	Mullion Options
A6001	2 1/16" (67.5mm)	2 1/16" (67.5mm)	7 5/8" (193mm)	7 5/8" (193mm)	Yes	Yes
A6002	2 1/16" (67.5mm)	2 1/16" (67.5mm)	7 5/8" (193mm)	8 1/4" (209mm)	Yes	Yes
A6003	2 1/16" (67.5mm)	2 1/16" (67.5mm)	8 11/16" (220.5mm)	8 9/16" (217mm)	Yes	Yes
A6004	2 1/16" (67.5mm)	2 1/16" (67.5mm)	7 5/8" (193mm)	8 9/16" (217mm)	Yes	Yes
A6005	2 1/16" (67.5mm)	1 7/16" (36.5mm)	7 5/8" (193mm)	5 3/16" (130.5mm)	Yes	No

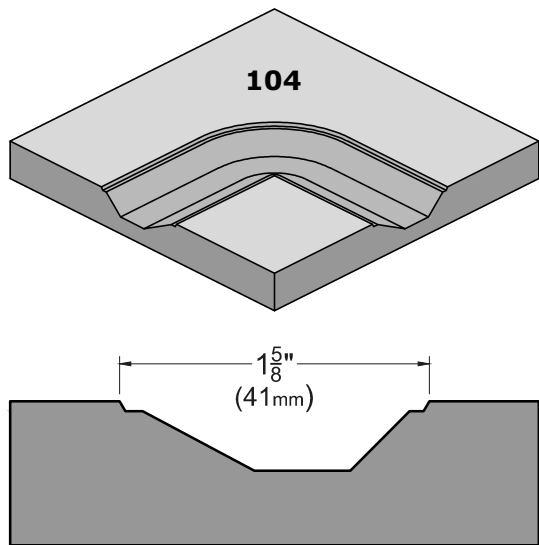


Route Pattern	Stile Width	Rail Width	Min. Width	Min. Height	Frame Options	Mullion Options
A6001	2 1/16" (67.5mm)	2 1/16" (67.5mm)	7 13/16" (198.5mm)	7 13/16" (198.5mm)	Yes	Yes
A6002	2 1/16" (67.5mm)	2 1/16" (67.5mm)	7 13/16" (198.5mm)	8 7/16" (214.5mm)	Yes	Yes
A6003	2 1/16" (67.5mm)	2 1/16" (67.5mm)	8 15/16" (225.5mm)	8 13/16" (222.5mm)	Yes	Yes
A6004	2 1/16" (67.5mm)	2 1/16" (67.5mm)	7 13/16" (198.5mm)	8 13/16" (222.5mm)	Yes	Yes
A6005	2 1/16" (67.5mm)	1 1/2" (37mm)	7 13/16" (198.5mm)	5 3/8" (136mm)	No	No

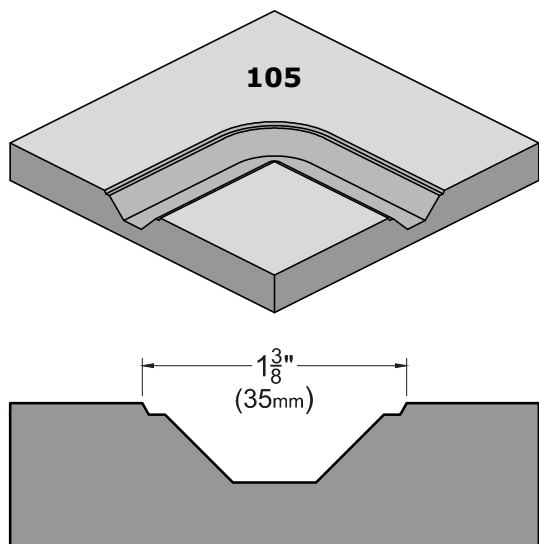


Route Pattern	Stile Width	Rail Width	Min. Width	Min. Height	Frame Options	Mullion Options
A6001	2 1/2" (63.5mm)	2 1/2" (63.5mm)	6 1/2" (164.5mm)	6 1/2" (164.5mm)	Yes	No
A6002	2 1/2" (63.5mm)	2 1/2" (63.5mm)	6 1/2" (164.5mm)	7 1/8" (180.5mm)	Yes	No
A6003	2 1/2" (63.5mm)	2 1/2" (63.5mm)	7 9/16" (191mm)	7 7/16" (188.5mm)	Yes	No
A6004	2 1/2" (63.5mm)	2 1/2" (63.5mm)	6 1/2" (164.5mm)	7 7/16" (188.5mm)	Yes	No
A6005	2 1/2" (63.5mm)	1 5/16" (32.5mm)	6 1/2" (164.5mm)	4 1/16" (102mm)	Yes	No

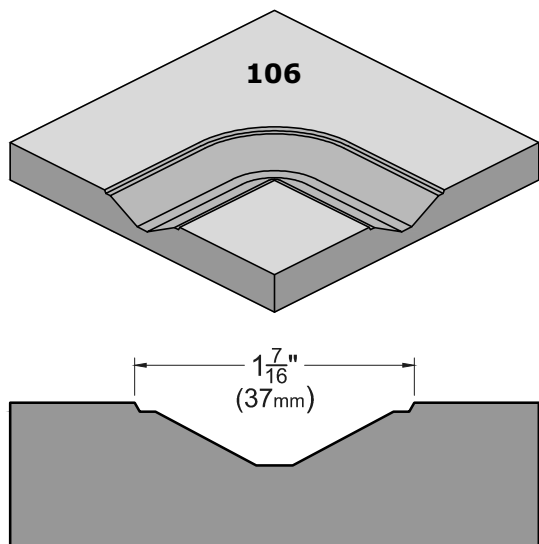
4 HDF PRODUCTS



Route Pattern	Stile Width	Rail Width	Min. Width	Min. Height	Frame Options	Mullion Options
A6001	2 1/16" (67.5mm)	2 1/16" (67.5mm)	8 5/16" (210.5mm)	8 5/16" (210.5mm)	Yes	Yes
A6002	2 1/16" (67.5mm)	2 1/16" (67.5mm)	8 5/16" (210.5mm)	8 5/16" (210.5mm)	Yes	Yes
A6003	2 1/16" (67.5mm)	2 1/16" (67.5mm)	9 3/8" (238mm)	9 1/4" (234.5mm)	Yes	Yes
A6004	2 1/16" (67.5mm)	2 1/16" (67.5mm)	5 5/16" (210.5mm)	9 1/4" (234.5mm)	Yes	Yes
A6005	2 1/16" (67.5mm)	1 7/16" (36.5mm)	8 5/16" (210.5mm)	5 7/8" (148.5mm)	No	No



Route Pattern	Stile Width	Rail Width	Min. Width	Min. Height	Frame Options	Mullion Options
A6001	2 1/16" (67.5mm)	2 1/16" (67.5mm)	8 5/16" (210.5mm)	8 5/16" (210.5mm)	Yes	Yes
A6002	2 1/16" (67.5mm)	2 1/16" (67.5mm)	8 5/16" (210.5mm)	8 5/16" (210.5mm)	Yes	Yes
A6003	2 1/16" (67.5mm)	2 1/16" (67.5mm)	9 3/8" (238mm)	9 1/4" (234.5mm)	Yes	Yes
A6004	2 1/16" (67.5mm)	2 1/16" (67.5mm)	5 5/16" (210.5mm)	9 1/4" (234.5mm)	Yes	Yes
A6005	2 1/16" (67.5mm)	1 7/16" (36.5mm)	8 5/16" (210.5mm)	5 7/8" (148.5mm)	No	No

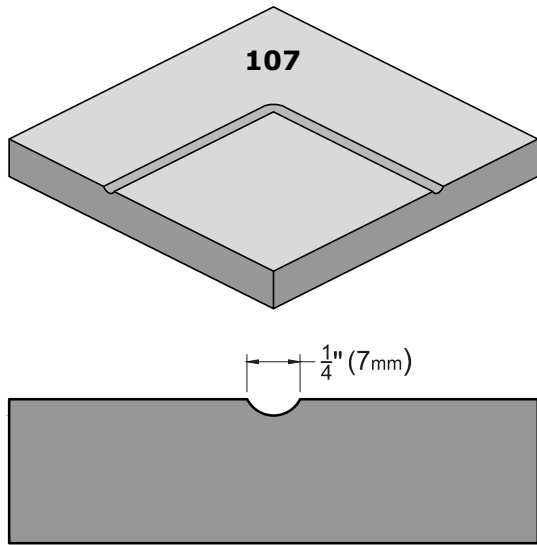


Route Pattern	Stile Width	Rail Width	Min. Width	Min. Height	Frame Options	Mullion Options
A6001	2 1/16" (67.5mm)	2 1/16" (67.5mm)	7 5/8" (193mm)	7 5/8" (193mm)	Yes	Yes
A6002	2 1/16" (67.5mm)	2 1/16" (67.5mm)	7 5/8" (193mm)	8 1/4" (209mm)	Yes	Yes
A6003	2 1/16" (67.5mm)	2 1/16" (67.5mm)	8 1/16" (220.5mm)	8 9/16" (217mm)	Yes	Yes
A6004	2 1/16" (67.5mm)	2 1/16" (67.5mm)	7 5/8" (193mm)	8 9/16" (217mm)	Yes	Yes
A6005	2 1/16" (67.5mm)	1 3/4" (43mm)	7 5/8" (193mm)	5 5/8" (142.5mm)	No	No

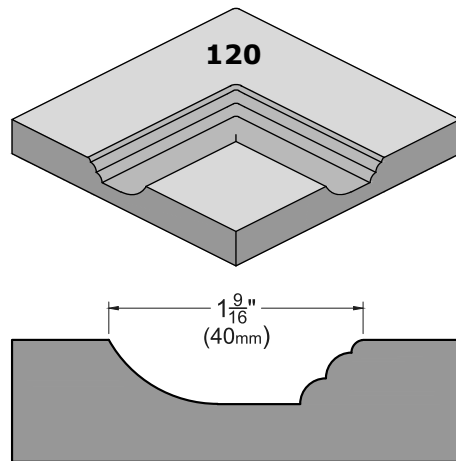
**4** HDF PRODUCTS

# HIGH DENSITY FIBERBOARD (HDF)

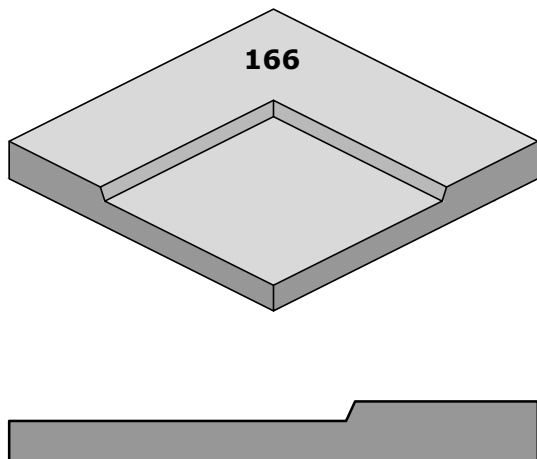
## One Piece Rounded Groove Profiles



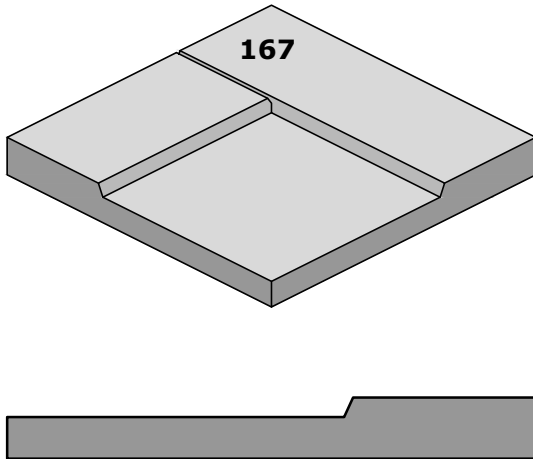
Route Pattern	Stile Width	Rail Width	Min. Width	Min. Height	Frame Options	Mullion Options
A6001	2 1/4" (57mm)	2 1/4" (57mm)	5 5/16" (133.5mm)	5 5/16" (133.5mm)	No	No
A6002	2 1/4" (57mm)	2 1/4" (57mm)	5 5/16" (133.5mm)	5 15/16" (149.5mm)	No	No
A6003	2 1/4" (57mm)	2 1/4" (57mm)	6 3/8" (161mm)	6 1/4" (157.5mm)	No	No
A6004	2 1/4" (57mm)	2 1/4" (57mm)	5 5/16" (133.5mm)	6 1/4" (157.5mm)	No	No
A6005	2 1/4" (57mm)	1 1/16" (26mm)	5 5/16" (133.5mm)	2 7/8" (71.5mm)	No	No



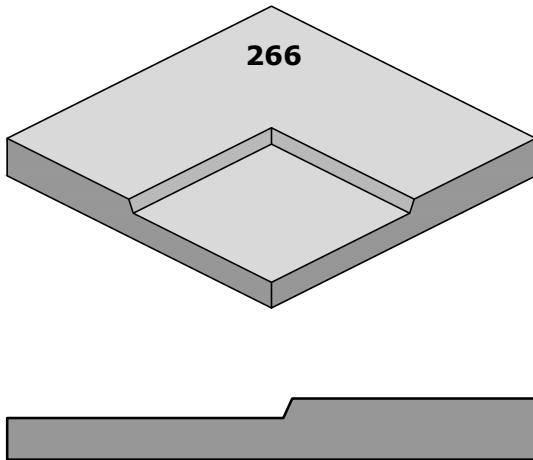
Route Pattern	Stile Width	Rail Width	Min. Width	Min. Height	Frame Options	Mullion Options
A6001	2 7/16" (61.5mm)	2 7/16" (61.5mm)	7 11/16" (195mm)	7 11/16" (195mm)	Yes	Yes
A6002	2 7/16" (61.5mm)	2 7/16" (61.5mm)	7 11/16" (195mm)	8 5/16" (211mm)	Yes	Yes
A6003	2 7/16" (61.5mm)	2 7/16" (61.5mm)	8 13/16" (222.5mm)	8 11/16" (219mm)	Yes	Yes
A6004	2 7/16" (61.5mm)	2 7/16" (61.5mm)	7 11/16" (195mm)	8 11/16" (219mm)	Yes	Yes
A6005	2 7/16" (61.5mm)	1 1/2" (38mm)	7 11/16" (195mm)	5 7/8" (148.5mm)	Yes	Yes



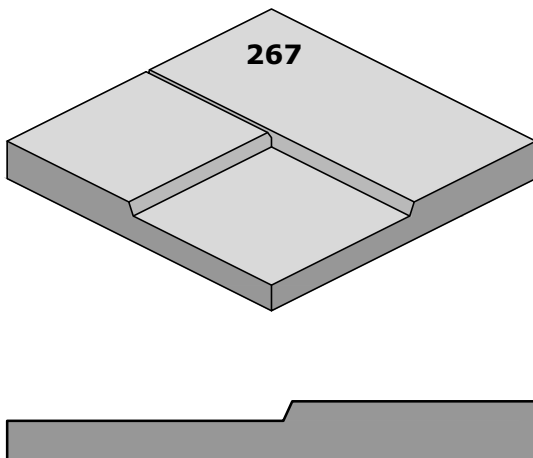
Route Pattern	Stile Width	Rail Width	Min. Width	Min. Height	Frame Options	Mullion Options
A6001	2 1/4" (57mm)	2 1/4" (57mm)	5 5/16" (133.5mm)	5 5/16" (133.5mm)	No	No
A6002	2 1/4" (57mm)	2 1/4" (57mm)	5 5/16" (133.5mm)	5 15/16" (149.5mm)	No	No
A6003	2 1/4" (57mm)	2 1/4" (57mm)	6 3/8" (161mm)	6 1/4" (157.5mm)	No	No
A6004	2 1/4" (57mm)	2 1/4" (57mm)	5 5/16" (133.5mm)	6 1/4" (157.5mm)	No	No
A6005	2 1/4" (57mm)	1 1/16" (26mm)	5 5/16" (133.5mm)	2 7/8" (71.5mm)	No	No



Route Pattern	Stile Width	Rail Width	Min. Width	Min. Height	Frame Options	Mullion Options
A6001	2 <sup>5</sup> / <sub>16</sub> " (57.2mm)	2 <sup>5</sup> / <sub>16</sub> " (57.2mm)	5 <sup>1</sup> / <sub>16</sub> " (127.1mm)	5 <sup>1</sup> / <sub>16</sub> " (127.1mm)	Yes	Yes
A6002	2 <sup>5</sup> / <sub>16</sub> " (57.2mm)	2 <sup>5</sup> / <sub>16</sub> " (57.2mm)	5 <sup>1</sup> / <sub>16</sub> " (127.1mm)	5 <sup>1</sup> / <sub>16</sub> " (143.1mm)	Yes	Yes
A6003	2 <sup>5</sup> / <sub>16</sub> " (57.2mm)	2 <sup>5</sup> / <sub>16</sub> " (57.2mm)	6 <sup>1</sup> / <sub>8</sub> " (154.4mm)	6" (151.1mm)	Yes	Yes
A6004	2 <sup>5</sup> / <sub>16</sub> " (57.2mm)	2 <sup>5</sup> / <sub>16</sub> " (57.2mm)	5 <sup>1</sup> / <sub>16</sub> " (127.1mm)	6" (151.1mm)	Yes	Yes
A6005	2 <sup>5</sup> / <sub>16</sub> " (57.2mm)	1 <sup>13</sup> / <sub>16</sub> " (44.5mm)	5 <sup>1</sup> / <sub>16</sub> " (127.1mm)	4 <sup>1</sup> / <sub>16</sub> " (101.7mm)	No	No



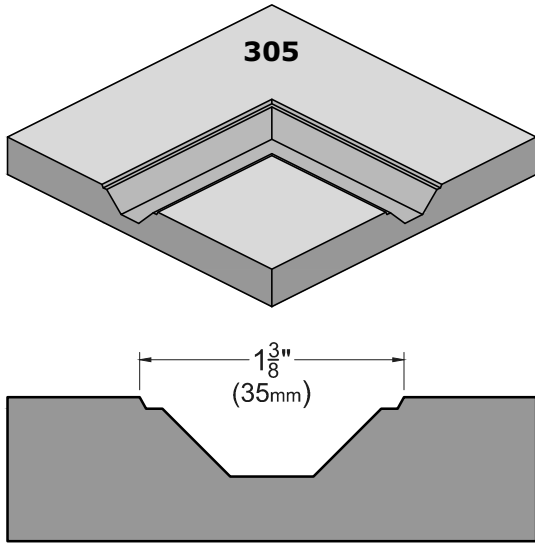
Route Pattern	Stile Width	Rail Width	Min. Width	Min. Height	Frame Options	Mullion Options
A6001	3" (76mm)	3" (76mm)	6 <sup>1</sup> / <sub>2</sub> " (165mm)	6 <sup>1</sup> / <sub>2</sub> " (165mm)	Yes	Yes
A6002	3" (76mm)	3" (76mm)	6 <sup>1</sup> / <sub>2</sub> " (165mm)	7 <sup>3</sup> / <sub>16</sub> " (181mm)	Yes	Yes
A6003	3" (76mm)	3" (76mm)	7 <sup>5</sup> / <sub>8</sub> " (192.5mm)	7 <sup>1</sup> / <sub>2</sub> " (189mm)	Yes	Yes
A6004	3" (76mm)	3" (76mm)	6 <sup>1</sup> / <sub>2</sub> " (165mm)	7 <sup>1</sup> / <sub>2</sub> " (189mm)	Yes	Yes
A6005	3" (76mm)	1 <sup>13</sup> / <sub>16</sub> " (44.5mm)	6 <sup>1</sup> / <sub>2</sub> " (165mm)	4 <sup>1</sup> / <sub>16</sub> " (101.5mm)	No	No



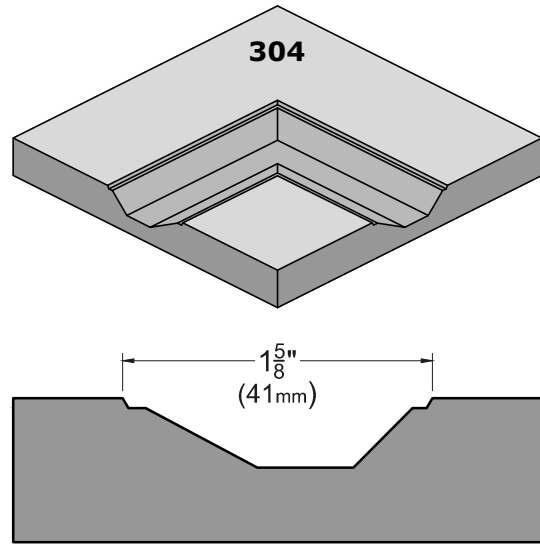
Route Pattern	Stile Width	Rail Width	Min. Width	Min. Height	Frame Options	Mullion Options
A6001	3" (76mm)	3" (76mm)	6 <sup>1</sup> / <sub>2</sub> " (165mm)	6 <sup>1</sup> / <sub>2</sub> " (165mm)	Yes	Yes
A6002	3" (76mm)	3" (76mm)	6 <sup>1</sup> / <sub>2</sub> " (165mm)	7 <sup>3</sup> / <sub>16</sub> " (181mm)	Yes	Yes
A6003	3" (76mm)	3" (76mm)	7 <sup>5</sup> / <sub>8</sub> " (192.5mm)	7 <sup>1</sup> / <sub>2</sub> " (189mm)	Yes	Yes
A6004	3" (76mm)	3" (76mm)	6 <sup>1</sup> / <sub>2</sub> " (165mm)	7 <sup>1</sup> / <sub>2</sub> " (189mm)	Yes	Yes
A6005	3" (76mm)	1 <sup>13</sup> / <sub>16</sub> " (44.5mm)	6 <sup>1</sup> / <sub>2</sub> " (165mm)	4 <sup>1</sup> / <sub>16</sub> " (101.5mm)	No	No

# HIGH DENSITY FIBERBOARD (HDF)

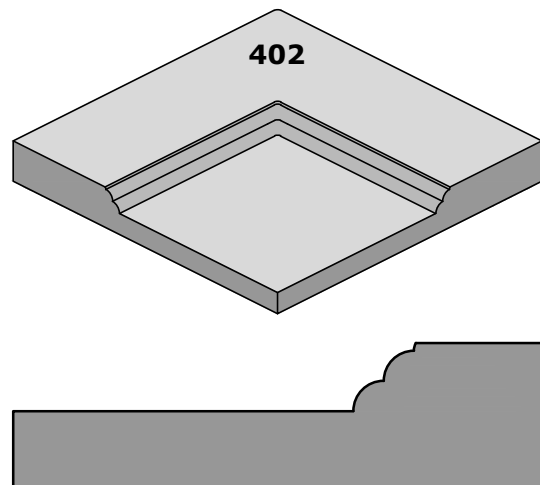
## One Piece Rounded Groove Profiles / Route Patterns



Route Pattern	Stile Width	Rail Width	Min. Width	Min. Height	Frame Options	Mullion Options
A6001	2 1/16" (67.5mm)	2 1/16" (67.5mm)	7 9/16" (191mm)	7 9/16" (191mm)	Yes	Yes
A6002	2 1/16" (67.5mm)	2 1/16" (67.5mm)	7 9/16" (191mm)	8 3/16" (207mm)	Yes	Yes
A6003	2 1/16" (67.5mm)	2 1/16" (67.5mm)	8 11/16" (220.5mm)	8 1/2" (215mm)	Yes	Yes
A6004	2 1/16" (67.5mm)	2 1/16" (67.5mm)	7 9/16" (191mm)	8 1/2" (215mm)	Yes	Yes
A6005	2 1/16" (67.5mm)	1 7/16" (36.5mm)	7 9/16" (191mm)	5 1/8" (129mm)	No	No



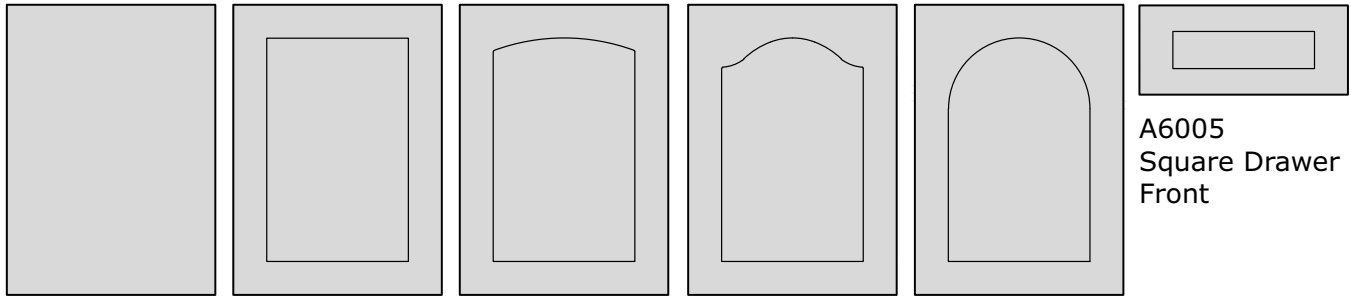
Route Pattern	Stile Width	Rail Width	Min. Width	Min. Height	Frame Options	Mullion Options
A6001	2 1/16" (67.5mm)	2 1/16" (67.5mm)	8 5/16" (210.5mm)	8 5/16" (210.5mm)	Yes	Yes
A6002	2 1/16" (67.5mm)	2 1/16" (67.5mm)	8 5/16" (210.5mm)	8 15/16" (226.5mm)	Yes	Yes
A6003	2 1/16" (67.5mm)	2 1/16" (67.5mm)	9 3/8" (238.5mm)	9 1/4" (234.5mm)	Yes	Yes
A6004	2 1/16" (67.5mm)	2 1/16" (67.5mm)	8 5/16" (210.5mm)	9 1/4" (234.5mm)	Yes	Yes
A6005	2 1/16" (67.5mm)	1 7/16" (36.5mm)	8 5/16" (210.5mm)	5 7/8" (148.5mm)	No	No



Route Pattern	Stile Width	Rail Width	Min. Width	Min. Height	Frame Options	Mullion Options
A6001	2 7/16" (61.3mm)	2 7/16" (61.3mm)	5 3/8" (135.3mm)	5 3/8" (135.3mm)	Yes	Yes
A6002	2 7/16" (61.3mm)	2 7/16" (61.3mm)	5 3/8" (135.3mm)	6" (151.3mm)	Yes	Yes
A6003	2 7/16" (61.3mm)	2 7/16" (61.3mm)	6 7/16" (162.6mm)	6 5/16" (159.3mm)	Yes	Yes
A6004	2 7/16" (61.3mm)	2 7/16" (61.3mm)	5 3/8" (135.3mm)	6 7/16" (159.3mm)	Yes	Yes
A6005	2 7/16" (61.3mm)	1 1/2" (38.1mm)	5 3/8" (135.3mm)	3 1/2" (88.9mm)	No	No



## One Piece HDF Route Patterns



A6000  
Square Door

A6001  
Square Door

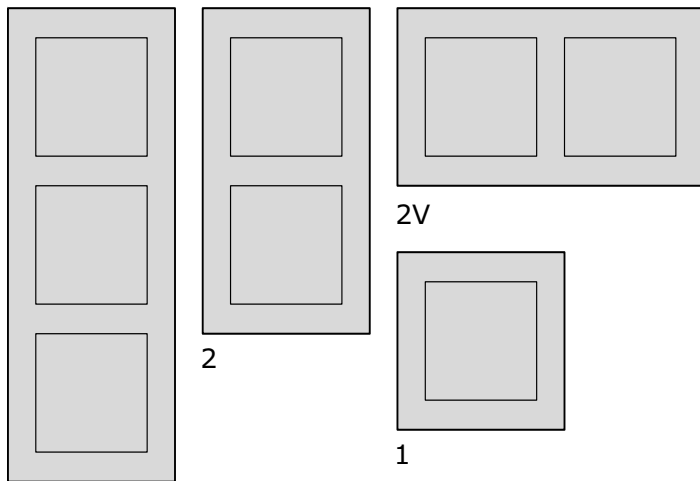
A6002  
Windsor  
Arch Door

A6003  
Cathedral  
ArchDoor

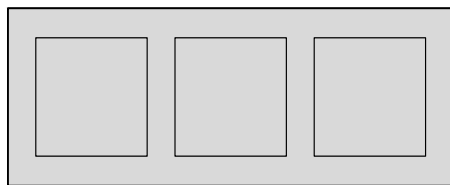
A6004  
Half Circle  
Arch Door

A6005  
Square Drawer  
Front

## One Piece HDF Panel Options

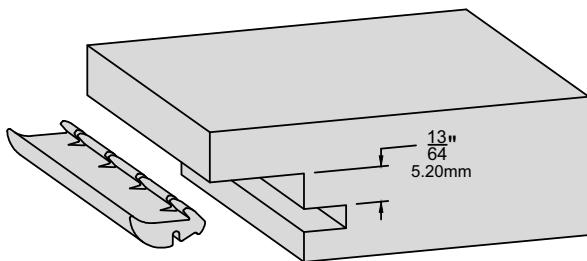


3

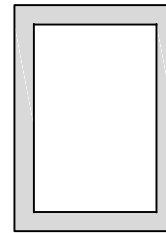


3V

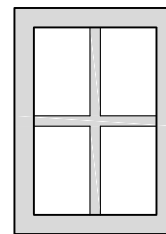
### Rubber Glass Retainer Molding



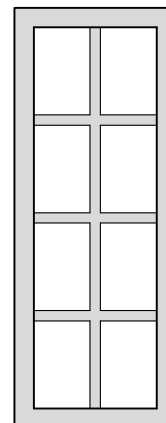
## One Piece HDF Frame & Mullion Options



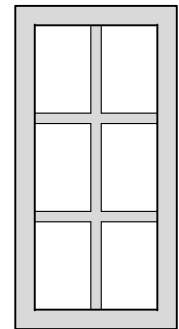
FRM



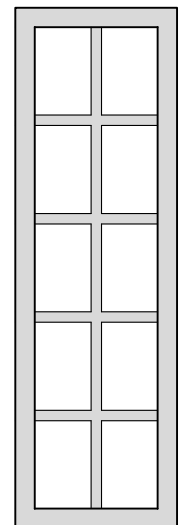
F22



F24



F23

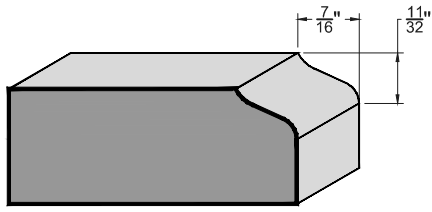


F25

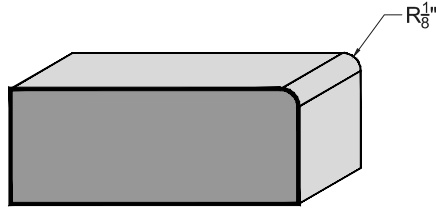
4 HDF  
PRODUCTS

# Edge Profiles

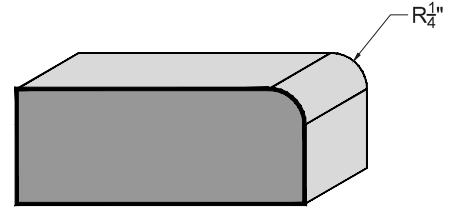
**NOTE: \*The HDF 5-Piece construction doors are only available with these edge profiles.**



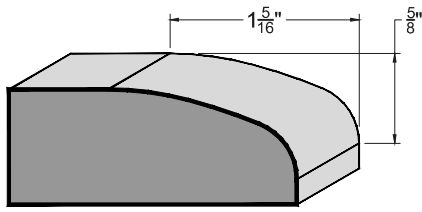
**A**



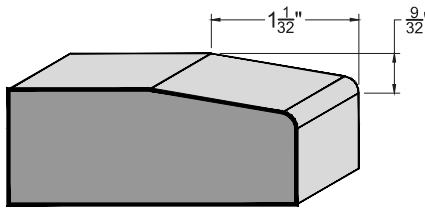
**\*B**



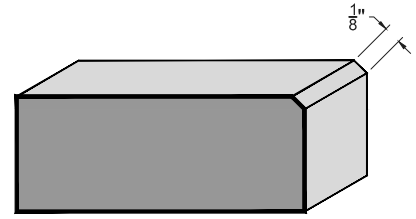
**C**



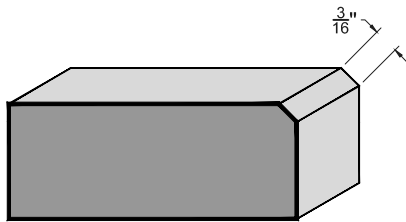
**D02**



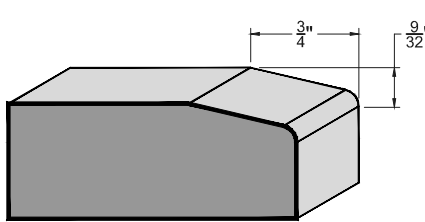
**D03**



**\*D04**



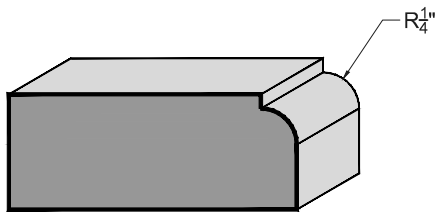
**\*D13**



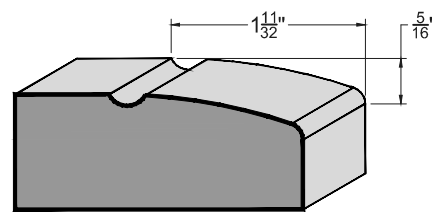
**D21**



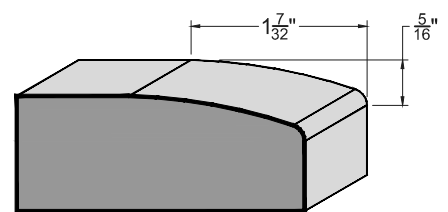
**\*I**



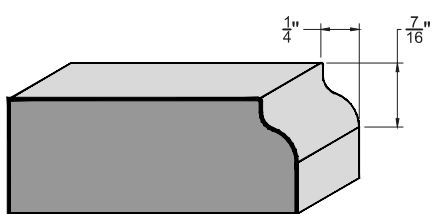
**J**



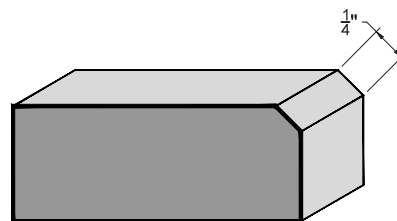
**N**



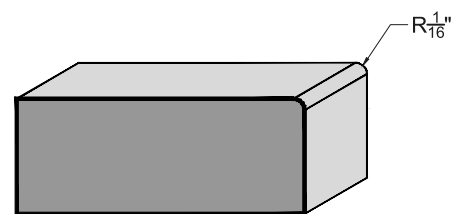
**O**



**S**



**\*V**



**Z**

4 HDF PRODUCTS